

Sunkist®

COMMERCIAL JUICER

For fresh-squeezed citrus juice that customers prefer.



Easy to Use • Easy to Clean • Completely Safe

Available from your foodservice equipment distributor. Contact us for the one nearest you:

(800)-383-7141 or (909)-933-2160, FAX (909)-933-2169

Foodservice Equipment Sales, Sunkist Growers, 760 East Sunkist Street, Ontario, CA 91761

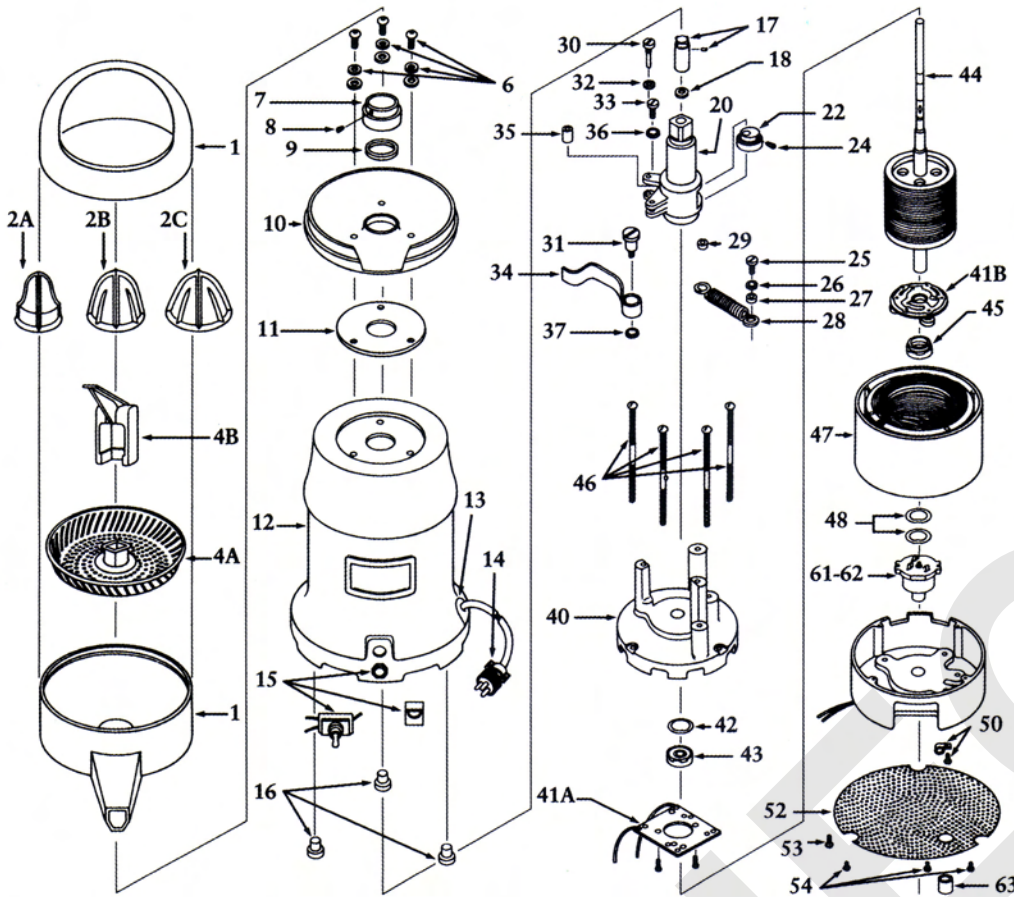
Sunkist

Commercial Juicer #8 Parts Information

Effective Date October 1, 1999

Specifications

Corrosion proof plastic.
 Safe...Listed by Underwriters' Laboratories,
 Canadian Standards Association and
 National Sanitation Foundation.
 Shipping weight 36 pounds
 Net weight 31 pounds
 Overall dimensions . . 17" high 8" diameter
 Horsepower 1/4
 Cube 1.12
 Carton Size 9 1/2" x 9 1/2" x 21"



Part Number	Description	Part Number	Description	Part Number	Description
1.	Plastic Bowl Assembly incl. dome, spout & bowl support	15.	Toggle Switch w/Switch Guard	40.	Top Motor Casting
2.	Extracting Bulbs Sets A. Lemon fits #8 model B. Orange fits #7 & #8 model C. Grapefruit fits #7 & #8 model	16.	Rubber Feet (set of 3)	41A.	Stationary Motor Switch - Howell Motor
3.	Lever Lock & Screws for Strainer (for #7 juicer - not illustrated)	17.	Shaft Tip w/Pin	41B.	Rotary Motor Switch - 115V Howell Motor
4.	Strainer w/Lever Lock & Screws (for #7 juicer - not illustrated)	18.	Eccentric Housing Gasket (incl'd w/#20)	43.	Motor Bearing Top or Bottom - Howell
4A.	Strainer for #8 juicer	20-7.	Eccentric Housing w/Bearings, Gasket & Brass Tube #7 Juicer	44.	Rotor (shaft) - Howell Motor 115/60
4B.	Strainer Puller for #8 juicer	20-8.	Eccentric Housing w/Bearings, Gasket & Brass Tube #8 Juicer	45.	Motor Bearing Top or Bottom - Ohio (not illustrated)
6.	Bowl Support Screws, Spacers, Washers (set of 3)	20-8C.	Eccentric Mechanism #8 Juicer	46.	Motor Screws (set of 4)
7.	Umbrella Ring w/Set Screw & Gasket	22.	Ecc. Hub w/Bearing & Screw	47.	Stator (winding)- Howell Motor 115/60
8.	Umbrella Ring Set Screw (incl'd w/#7)	24.	Ecc. Hub Hex Screw 1/4-20 x 1/2	48.	Tension Washers - Howell Motor includes #42
9.	Umbrella Ring Gasket (incl'd w/#7)	25.	Spring Screw to Motor Mount 10-32	50.	Cord Clip w/Screw
10.	Plastic Bowl Support only (incl'd w/#1)	26.	Lock Washers (set of 4) includes #32, 36, 37	52.	Perforated Base Plate
10A.	Plastic Dome only (incl'd w/#1)	27.	Bronze Bushing Coil Spring to Motor Mount 9/64 x 3/8 x 7/32	53.	Ground Screw w/Lock Washer
10B.	Plastic Spout only (incl'd w/#1)	28.	Coil Spring	54.	Base Plate Screws
11.	Bowl Support Gasket	29.	Bronze Bushing Coil Spring to Ecc. Housing 9/64 x 3/8 x 3/16	61.	Thermal Overload 115/60 - Howell Motor
12.	Chrome Motor Housing	30.	Arm Screw - Small 1/2-32 x 1 1/8	62.	Thermal Overload 230/50 - Howell Motor
13.	Rubber Cord Bushing	31.	Arm Screw - Large 1/4-20 x 1 1/8	63.	Thermal Overload Extension Model #7 or #8 Motor - 115/60 4.3 amp - 1750 rpm
14.	Rubber Cord	33.	Spring Screw to Ecc. Housing 1/4-32	64.	Model #7 or #8 Motor - 115/60 4.3 amp - 1750 rpm
14A.	Rubber Cord - Export	34.	Eccentric Arm	65.	Model #7 or #8 motor - 230/50 2.5 amp - 1425 rpm
		35.	Ecc. Arm Bronze Bushing 1 1/2 x 3/16 x 5/16		