



Item #: _____

Models: 36ER32-3, 36ES32-3 & 36ET32-3

Product Name: 36E Series Combination All Purpose Plate & Open Element Top Range



Model 36ER32-3

Specifications:

Heavy-duty electric range with full size oven, Model 36ER32-3, combination top. 36" (914mm) wide x 36" (914mm) high x 36" (914mm) deep; 36" (914mm) x 24" (610mm) top consists of one 24" (610mm) x 24" (610mm), all-purpose plate and one 12" (305mm) open tubular element section. Standard oven is controlled by a heavy-duty electromechanical thermostat. Top plate has two thermostat-controlled heat zones and each element is controlled by a three-heat switch. Oven interior is 13.5" (343mm) high x 26.25" (667mm) wide x 29" (533mm) deep with removable four-position chrome plated oven rack guides and one oven rack, front and rear stainless steel grease troughs. Available with convection oven base, 21.75" (552mm) deep. Standard with stainless steel front and black powder coat epoxy sides. All controls are mounted at a convenient level on the switch panel. Electric circuit protection is provided for by circuit breakers or fuses located outside of the heat zone behind the lower kick panel. Ranges are available with casters or for dais mount. Also available in modular top version.

Standard Features:

- Stainless steel front with black powder coat epoxy sides
- Stainless steel front rail
- Chrome plated, 4 position removable rack guides w/oven rack
- Electro-mechanical heavy-duty oven thermostat
- Two tubular elements
- 24" (610mm) all purpose plate controlled by two thermostats, 290°/650°F (143°/343°C)
- 3" (76mm) high stainless steel vent raiser
- Heat resistant, cool to touch oven door handle
- 6" (152mm) adjustable chrome plated legs (NSF)
- One Year limited parts & labor (USA & Canada)

Optional Features:

- Stainless steel sides
- Stainless steel main back (R&S models)
- Extra oven rack
- Swivel casters complete with front brakes (4)
- 6" (152mm) adjustable stainless steel legs.
- Convection oven base (add suffix C to model number, e.g. 36ERC32-3)
- Marine equipment - storm rails for pots, hand rails, oven door latch, drip tray stop and deck fasteners

NOTE: Ranges supplied with casters must be installed with an approved restraining device.



Garland Commercial Industries, Inc.
185 East South Street
Freeland, Pennsylvania 18224
Phone: (570) 636-1000
Fax: (570) 636-3903

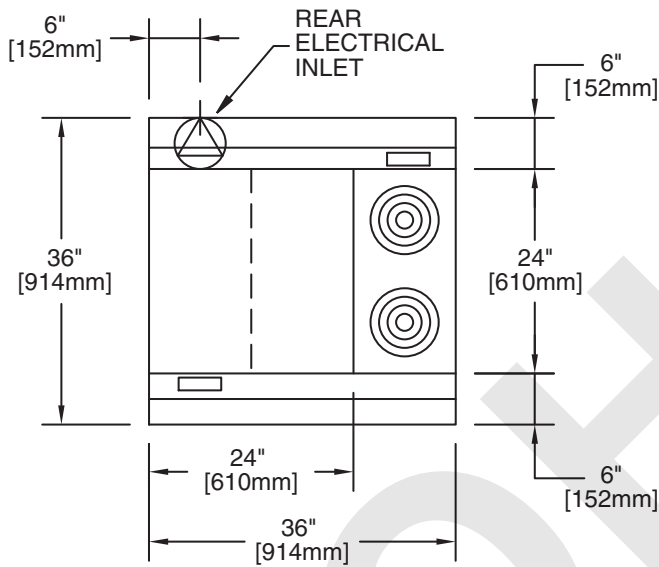
Garland Commercial Ranges Ltd
1177 Kamato Road, Mississauga, Ontario
L4W 1X4 CANADA
Phone: 905-624-0260
Fax: 905-624-5669

Enodis UK LTD
Swallowfield Way, Hayes, Middlesex
UB3 1DQ ENGLAND
Telephone: 081-561-0433
Fax: 081-848-0041



Item #: _____
 Models: 36ER32-3, 36ES32-3 & 36ET32-3
 Product Name: 36E Series Combination All Purpose
 Plate & Open Element Top Range

MODEL	TOTAL kW	3-PHASE kW PER PHASE ALL VOLTAGES			NOMINAL AMPERES PER LINE							
					SINGLE PHASE		THREE PHASE			THREE PHASE		
		X-Y	Y-Z	X-Z	208V	240V	208V			240V		
						X	Y	Z	X	Y	Z	
36ER32-3	20.7	6.5	4.2	10	99	88	69	45	60	61	40	53
36ET32-3	14.2	5	4.2	5	68	60	42	39	39	37	34	34
36ERC32-3	19.6	5	4.6	10	94.2	81.7	44	40	61	38	35	53



CLEARANCES			
ENTRY		TO COMBUSTIBLE WALL	
CRATED	UNCRATED	SIDES	REAR
41-1/4" (1048mm)	36-1/4" (921mm)	3" (76mm)	1-1/2" (38mm)

NOTE: For ranges with convection oven(s), (models with suffix 'RC'), air circulation is required for proper operation of fan motors. These models must not be dais mounted or installed with out legs.

Garland products are not approved or authorized for home or residential use, but are intended for commercial applications only. Garland will not provide service, warranty, maintenance or support of any kind other than in commercial applications.

