

*17-inch spreader cabinet shown with optional backguard and sink, (M17ES-SINK)*

## Specifications:

Spreader plates provide additional work space between ranges or at the end of a battery. A 1 1/4" N.P.T. manifold joins adjacent equipment for a continuous battery design, protected by a stainless steel manifold cover. Standard widths are 6" (152mm), 9" (229mm), 17" (432mm), and 34" (864mm), (Special sizes are available.) Spreader plate is available with front enclosure or mounted on cabinet base.

Front enclosure is stainless steel and completely removable. Available in standard widths listed above, enclosures are designed to give equipment a finished appearance. (Special sizes are available). Cabinets have stainless steel door(s) with black powder coat epoxy sides, and provide convenient, concealed and sanitary storage for pots and pans. Available in 3 width. 12" (308mm), 17" (432mm) wide with one door, and 34" (864mm) wide with two doors.



## Standard Features:

- Stainless steel front; black powder coat epoxy side.
- 7 1/2" (191 mm) stainless steel front rail.
- Stainless steel top plate.
- Cabinet storage base interior of aluminized steel
- One year limited part, and labor warrant, (USA and Canada only).

## Optional Features

- Stainless steel left, right or both sides.
- Stainless steel main back.
- Stainless steel common front rail up to 68" (1728mm) wide (two or more units in a battery).
- Rear gas connection, 1 1/4" NPT.
- 2" NPT rear gas connection, for, (minimum) 9" (229mm), 12" (308mm), 17" (432mm), and 34" (864mm), spreaders.
- Swivel casters (4) w/front brakes, (cabinets only).
- Polyurethane non-marking swivel casters (4) w/front brakes (cabinets only)
- 6" (152mm) stainless steel adjustable legs (cabinets only)
- 4" (102mm) chrome steel adjustable legs (cabinets only) Storage base shelf of aluminized or stainless steel in 17" (432mm), and 34" (864mm) cabinets
- Single deck stainless steel tubular high shelf.
- Double deck stainless steel tubular high shelf.
- 10" (254mm) high low-profile stainless steel backguard.
- 17" (432mm) high stainless steel backguard.
- 33" (838mm) high stainless steel backguard.
- Stainless steel sink.

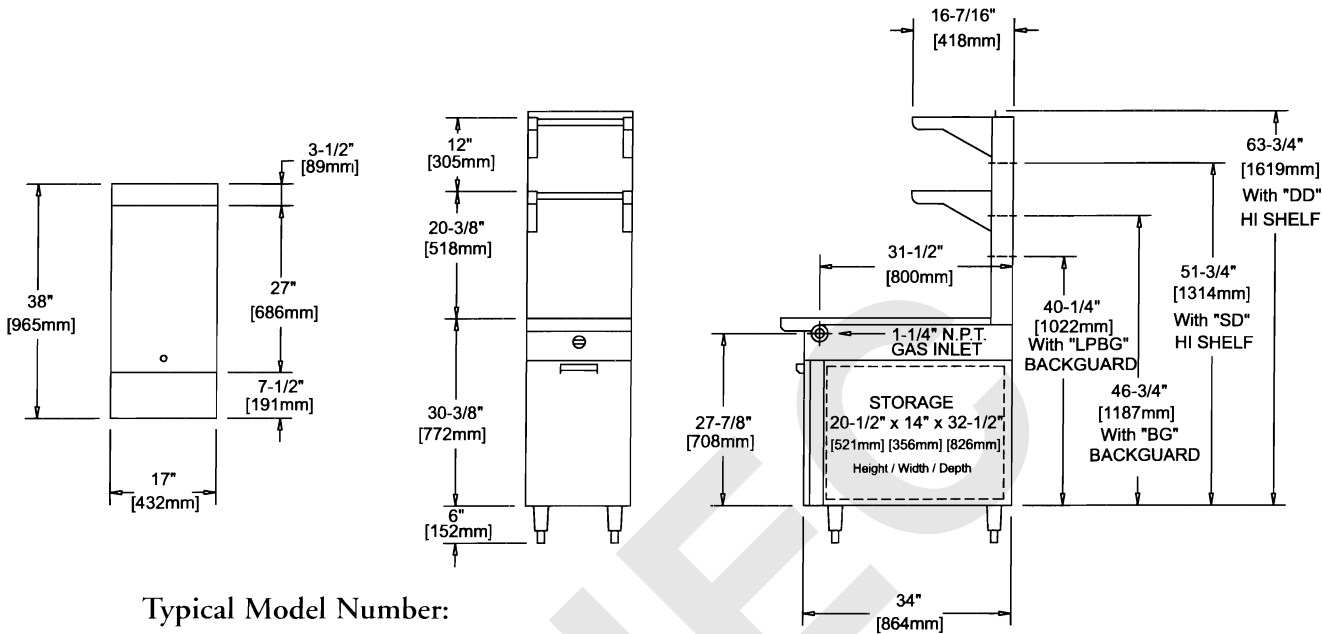
# GARLAND

Item #: \_\_\_\_\_

Model #: M6/9/12/17/34SP/FE/ES

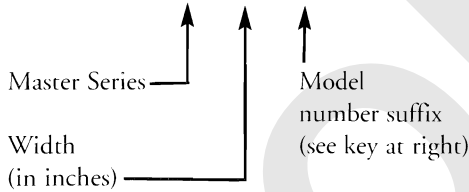
Product Name: Master Series

Spreader Plates and Cabinets



Typical Model Number:

**M|17|SP**



Model Number Suffixes:

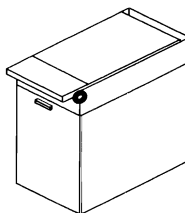
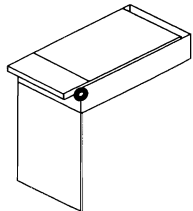
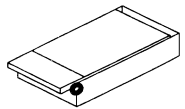
**SP** = Spreader Plate only.  
Available in 6" (152mm), 9" (229mm), 12" (308mm), 17" (432mm), and 34" (864mm) widths.\*

**FE** = Spreader Plate with Front Enclosure. Available in 6" (152mm), 9" (229mm), 12" (308mm), 17" (432mm), and 34" (864mm) widths.\*

**ES** = Full Spreader Cabinet with door. Available in 12" (308mm), 17" (432mm), and 34" (864mm) widths.\*

**-SINK** = Stainless Steel Sink.  
Available in 17-inch "ES" models only, e.g..M17ES-SINK

\* Special widths available upon request. (additional charge).



Shipping Weights, (lb./Kg)

M6SP	25/11
M9SP	40/18
M17SP	75/34
M34SP	150/68
M6FE	40/18
M9FE	60/27
M17FE	115/52
M34FE	180/82
M12ED	125/56
M17ES	175/79
M34ES	325/147
M17ES-SINK	185/84